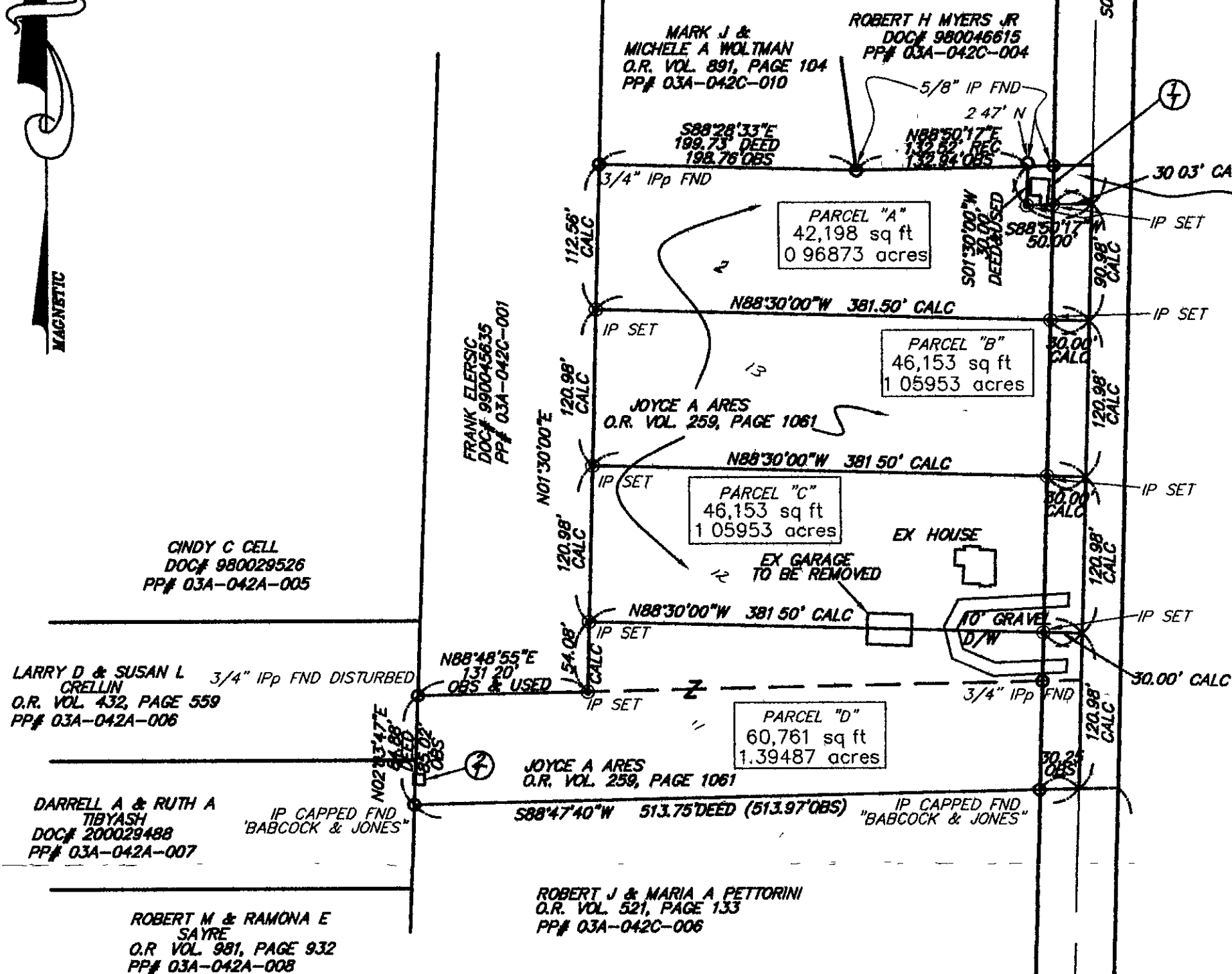


MON FND C/L SOUTH RIDGE ROAD

LOT SPLIT & CONSOLIDATION FOR
 RICHARD MCCREA
 BEING PARCEL NO.'S 03A-042C-002
 & 03A-042C-005
 & BEING PART OF LOT 35
 OF THE HOWARD FRYE ALLOTMENT
 IN THE TOWNSHIP OF PERRY
 COUNTY OF LAKE, STATE OF OHIO
 SEPTEMBER 27TH, 2001



EXCEPTION
 OHIO WATER SERVICE COMPANY
 RECORDED IN O.R. VOL. 247, PAGE 103
 OF THE LAKE COUNTY DEED RECORDS
 50' X 30' LOT

WEBB ROAD 60' R/W

APPROVALS

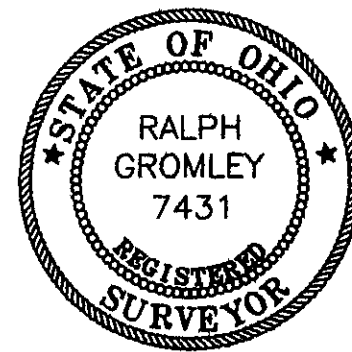
REFERENCES:

HOWARD FRYE ALLOTMENT
 VOLUME K, PAGE 66

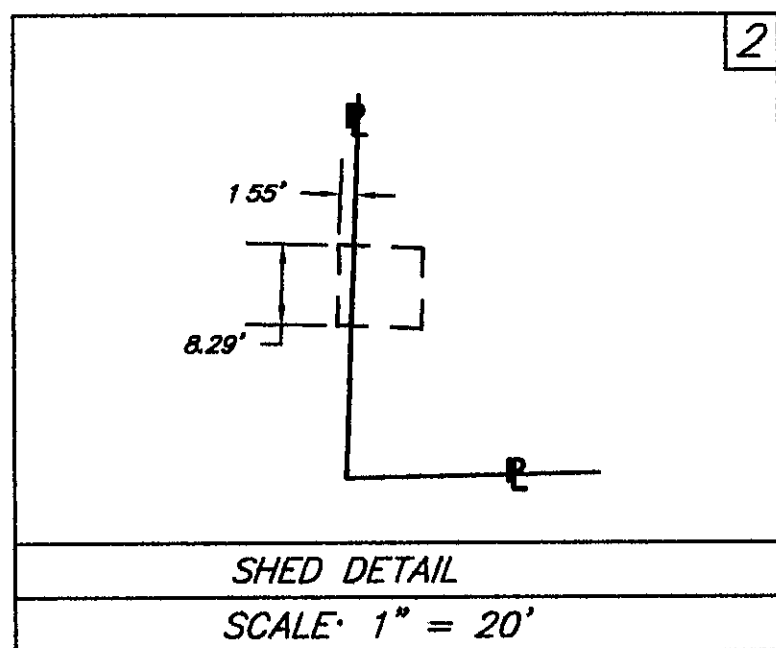
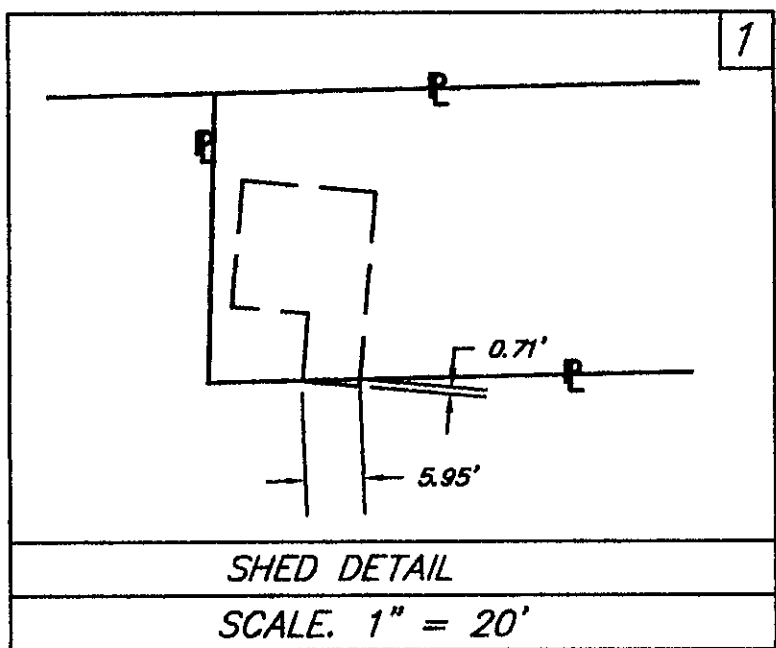
BEARINGS ARE TO AN ASSUMED MERIDIAN
 AND ARE USED TO DENOTE ANGLES ONLY

ALL IRON PINS SET ARE
 5/8" x 30" REBAR CAPPED #7431

I CERTIFY THAT I HAVE SURVEYED
 THE PREMISES AND PREPARED THE
 SURVEY MAP IN ACCORDANCE WITH
 THE PROVISIONS OF CHAPTER 4733-37
 OF THE OHIO ADMINISTRATIVE CODE



[Signature]
 REG SURVEYOR #7431



IP CAPPED MON "BABCOCK & JONES"
 FND C/L WELLINGTON DRIVE

HORIZ SCALE	1" = 100'	VERT SCALE	
DRAWN BY	CL	DATE	9/27/2001
CHECKED BY	RWG	DRAWING NO	111135
JOB NO	111135	SHEET	1 OF 1

5794 HEISLEY ROAD MENTOR OHIO 44060 FAX 639-9790
 440-639-9950

ENGINEERING and SURVEYING
 Civil Engineering · Land Surveying

Legal Description Approved For Transfer
 Lake County Engineer

By *[Signature]* Date 10/15/01

NO	DATE	DESCRIPTION	BY
1	10/5/01	REVISED PER COUNTY ENGINEER	CL

3A-42c-2,5