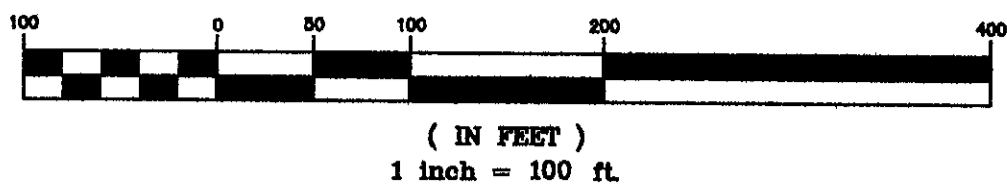


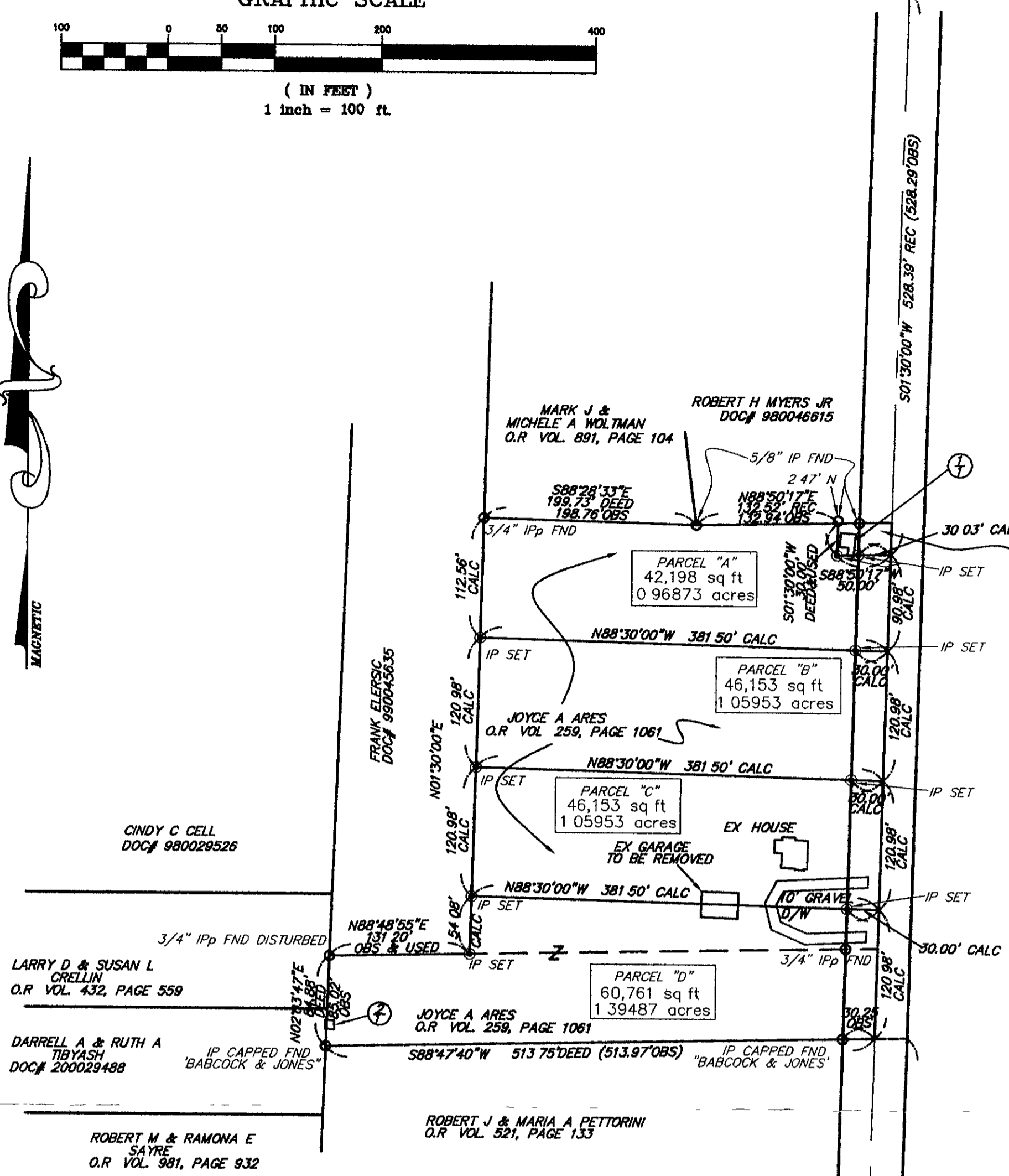
GRAPHIC SCALE



LOT SPLIT & CONSOLIDATION FOR
 RICHARD MCCREA
 BEING PARCEL NO.'S 03A-042C-002
 & 03A-042C-005
 & BEING PART OF LOT 35
 OF THE HOWARD FRYE ALLOTMENT
 IN THE TOWNSHIP OF PERRY
 COUNTY OF LAKE, STATE OF OHIO
 SEPTEMBER 27TH, 2001



MON FND C/L SOUTH RIDGE ROAD



EXCEPTION
 OHIO WATER SERVICE COMPANY
 RECORDED IN O.R VOL 247, PAGE 103
 OF THE LAKE COUNTY DEED RECORDS
 50' X 30' LOT

WEBB ROAD 60' R/W

APPROVALS.

REFERENCES:

HOWARD FRYE ALLOTMENT
 VOLUME K, PAGE 66

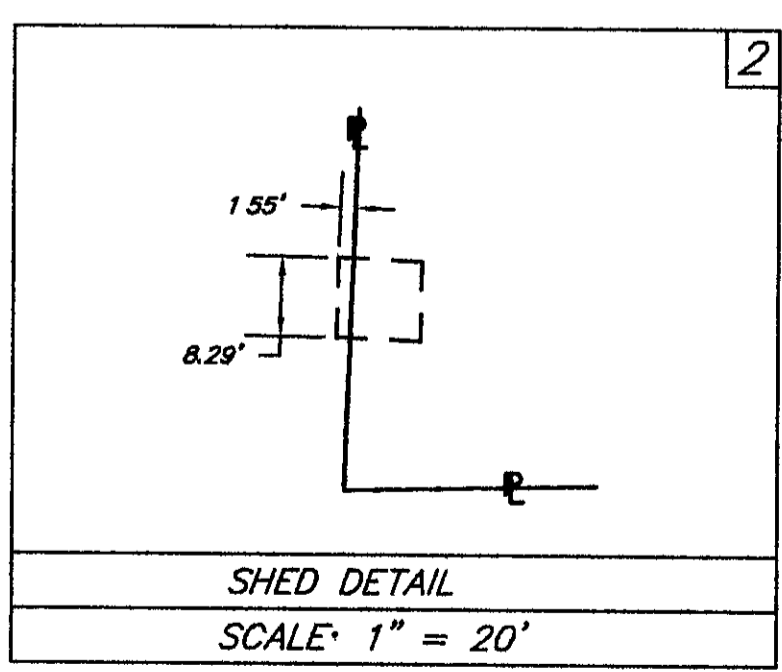
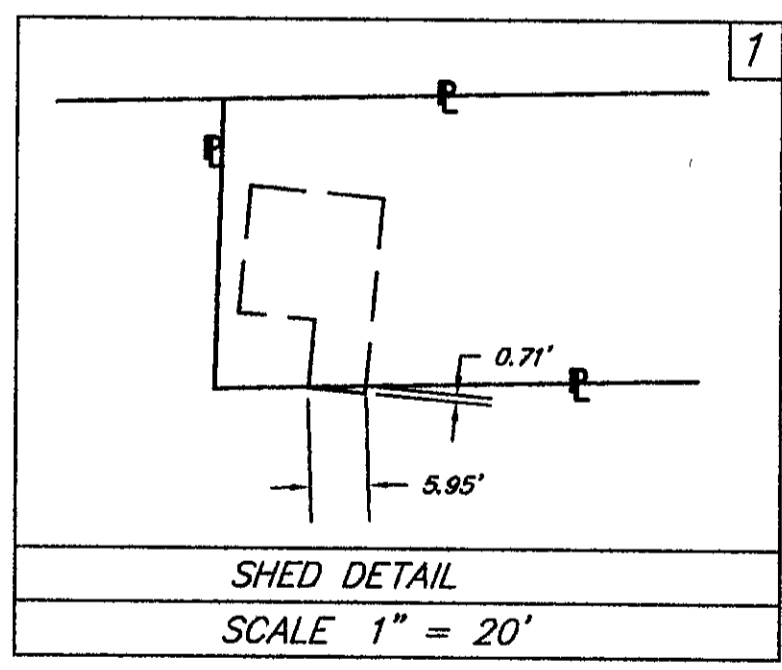
BEARINGS ARE TO AN ASSUMED MERIDIAN
 AND ARE USED TO DENOTE ANGLES ONLY

ALL IRON PINS SET ARE
 5/8" x 30" REBAR CAPPED #7431

I CERTIFY THAT I HAVE SURVEYED
 THE PREMISES AND PREPARED THE
 SURVEY MAP IN ACCORDANCE WITH
 THE PROVISIONS OF CHAPTER 4733-37
 OF THE OHIO ADMINISTRATIVE CODE



REG SURVEYOR #7431



IP CAPPED MON "BABCOCK & JONES"
 FND C/L WELLINGTON DRIVE

HORIZ SCALE 1" = 100'	VERT SCALE	5794 HEBBLEY ROAD MENTOR OHIO 44060 440-639-9950	FAX 639-9790				
DRAWN BY CL	DATE 9/27/2001	 ENGINEERING and SURVEYING Civil Engineering · Land Surveying					
CHECKED BY RWG	DRAWING NO 111135						
JOB NO 111135	SHEET 1 OF 1						
				NO	DATE	DESCRIPTION	BY