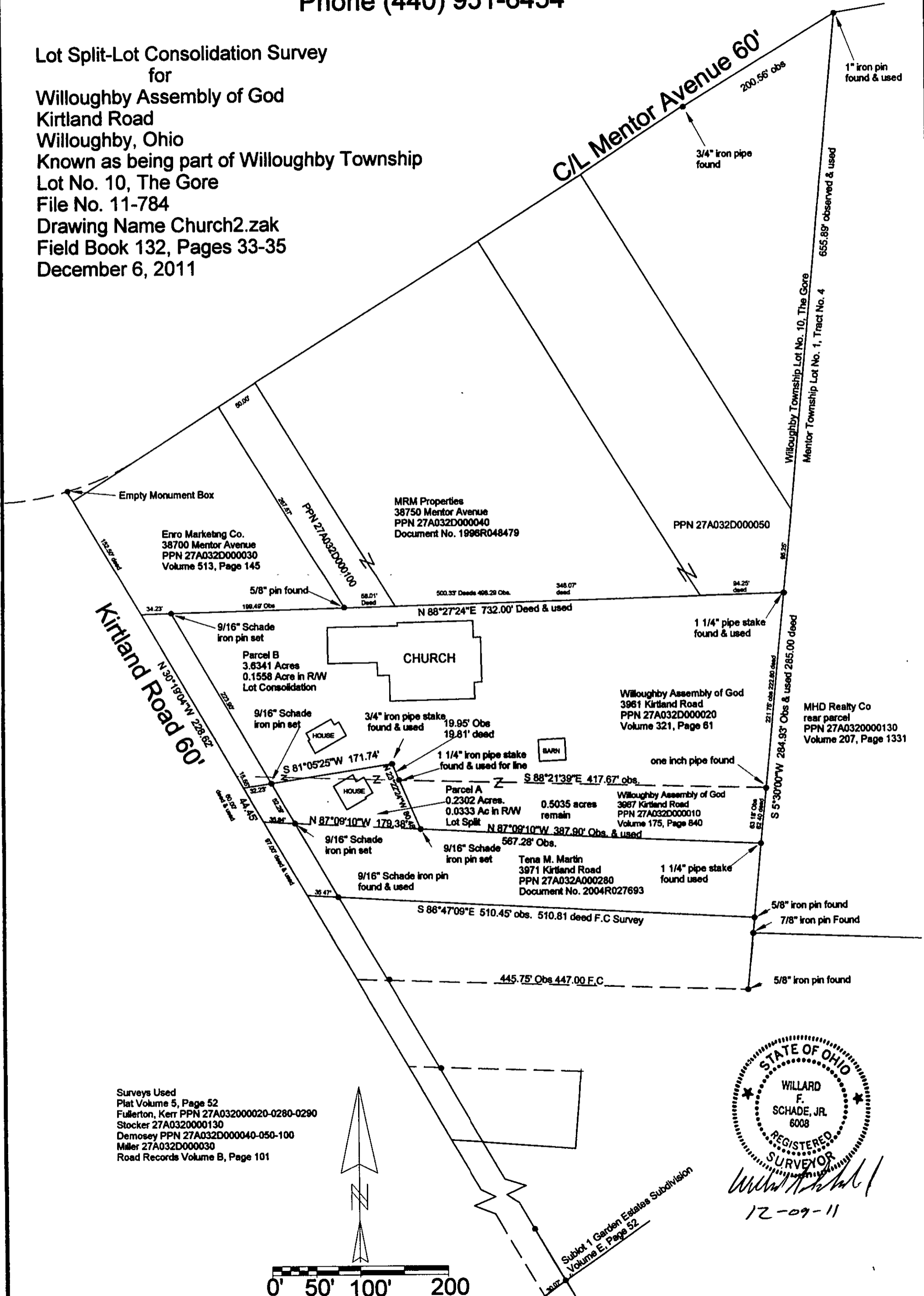
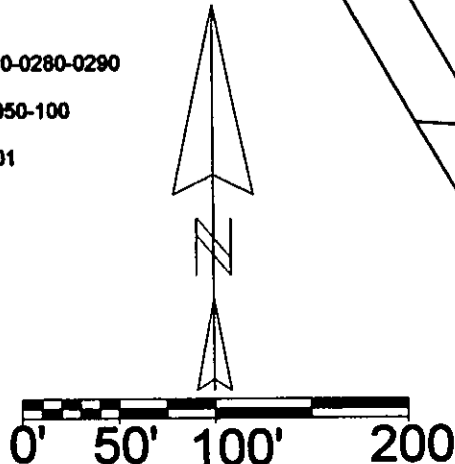


**SCHADE SURVEYING COMPANY**  
 4043 Erie Street Willoughby, Ohio  
 Phone (440) 951-6454

Lot Split-Lot Consolidation Survey  
 for  
 Willoughby Assembly of God  
 Kirtland Road  
 Willoughby, Ohio  
 Known as being part of Willoughby Township  
 Lot No. 10, The Gore  
 File No. 11-784  
 Drawing Name Church2.zak  
 Field Book 132, Pages 33-35  
 December 6, 2011



Surveys Used  
 Plat Volume 5, Page 52  
 Fullerton, Kerr PPN 27A032000020-0280-0290  
 Stocker 27A0320000130  
 Demosey PPN 27A032D000040-050-100  
 Miller 27A032D000030  
 Road Records Volume B, Page 101



STATE OF OHIO  
 WILLARD F. SCHADE, JR.  
 6008  
 REGISTERED SURVEYOR  
 Willard F. Schade, Jr.  
 12-09-11

Sublot 1 Garden Estates Subdivision  
 Volume E, Page 52