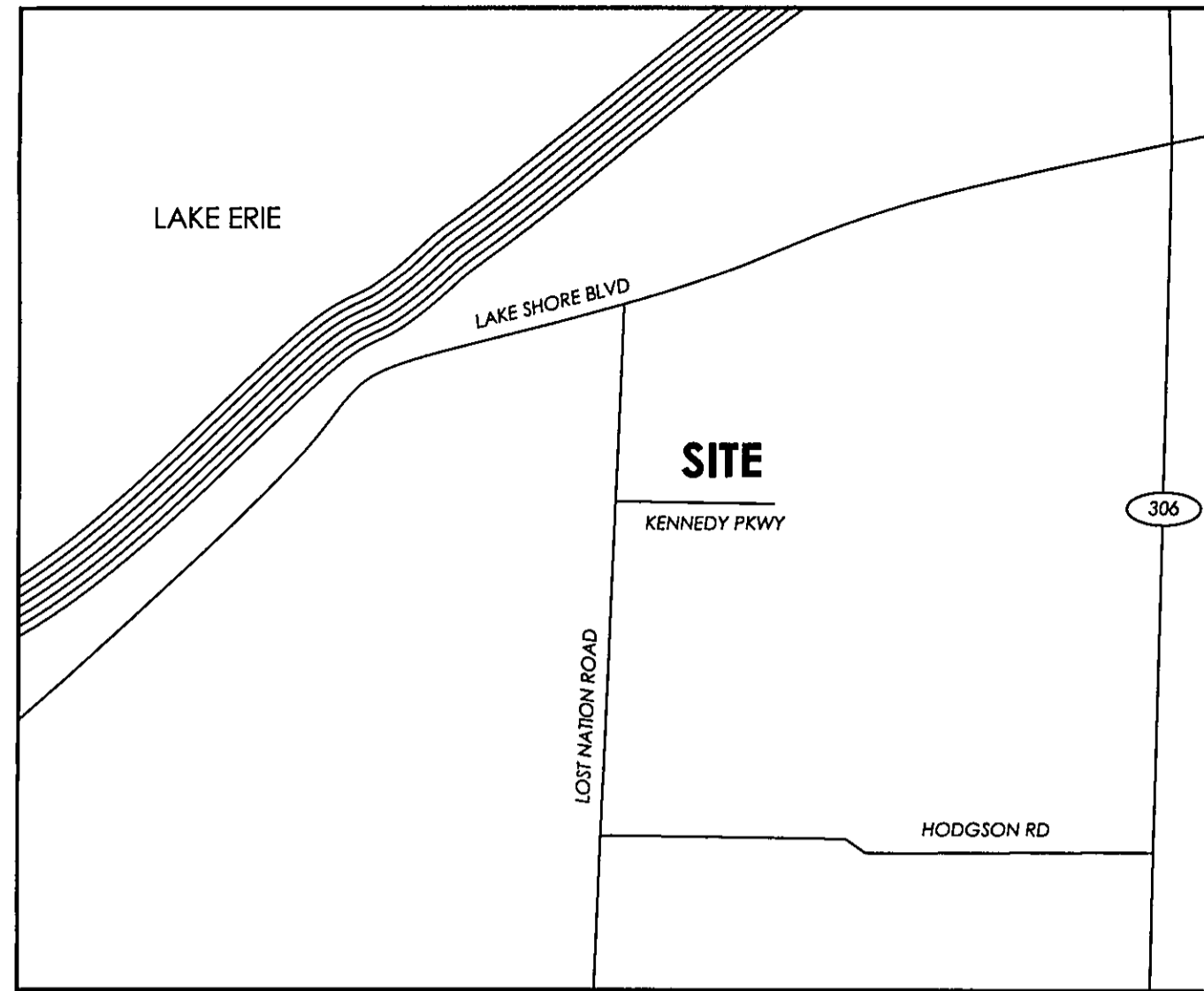
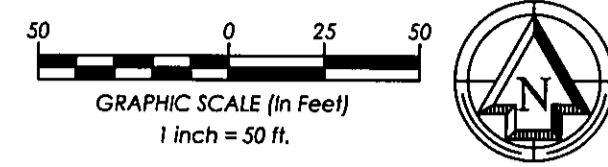


AREA MAP



BASIS OF BEARINGS
 N01°44'30"E FOR LOST NATION ROAD AS INDICATED IN
 THE DEDICATION OF KENNEDY PARKWAY PER PLAT
 VOLUME 34 PAGE 13, LAKE COUNTY RECORDS



BOUNDARY & LOT SPLIT SURVEY

SITUATED IN THE CITY OF WILLOUGHBY
 LAKE COUNTY, STATE OF OHIO
 PART OF ORIGINAL LOT 6, DOUGLAS TRACT

ADDRESS
 38605 KENNEDY PARKWAY
 WILLOUGHBY, OHIO 44094

RECORD
 PPN 27-B-054-0-00-015-0
 O.R. VOL. 1998R042081

LEGEND

- 1/2" IRON PIPE FOUND
- CAPPED 5/8", 30" LONG REBAR SET
- C/L MONUMENT, 5/8" REBAR FOUND (S160)
- (D) DEED (M) MEASURED
- (R) RECORDED (P) PLAT
- X — FENCE
- UP UTILITY POLE
- MH MANHOLE

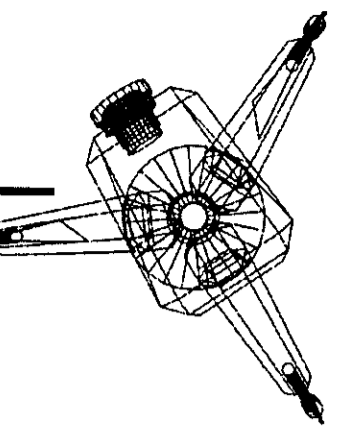
NOTES
 OCCUPATION IS CONSISTENT WITH TITLE LINES
 DOCUMENTS USED ARE CITED ON THE PLAT



Dale Haywood
 DALE HAYWOOD, P.S.
 OHIO REG. 5-8284

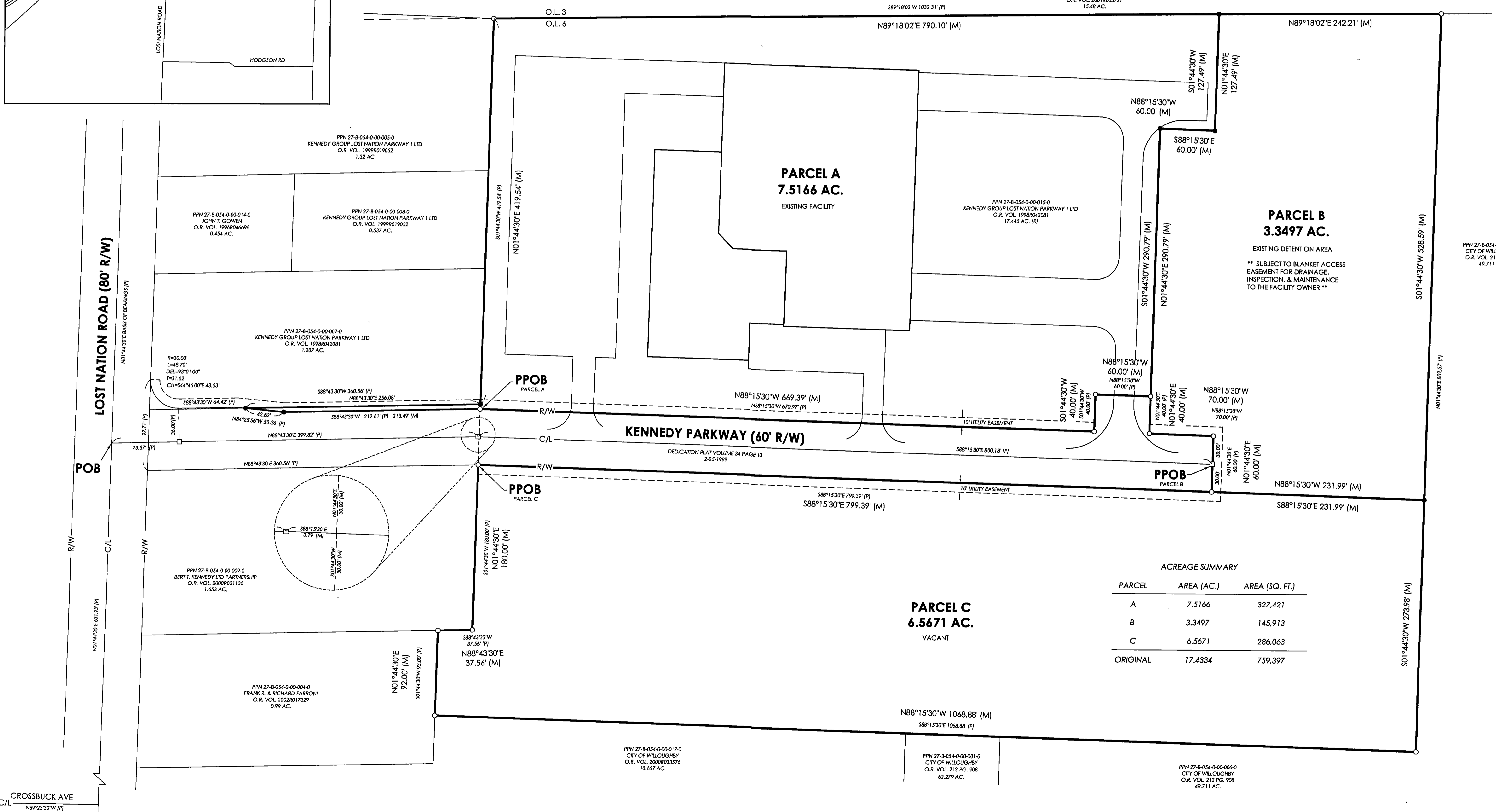
EXACTA OHIO

LAND SURVEYING
 2132 E. 9TH STREET, SUITE 203
 CLEVELAND, OHIO 44115
 (216) 751-9000



DATE

FIELD: DECEMBER 8, 2008
 DRAWING: JANUARY 16, 2009



ACREAGE SUMMARY

PARCEL	AREA (AC.)	AREA (SQ. FT.)
A	7.5166	327,421
B	3.3497	145,913
C	6.5671	286,063
ORIGINAL	17.4334	759,397

PARCEL C
 6.5671 AC.
 VACANT

PPN 27-B-054-0-00-017-0
 CITY OF WILLOUGHBY
 O.R. VOL. 2009R033376
 10.667 AC.

PPN 27-B-054-0-00-001-0
 CITY OF WILLOUGHBY
 O.R. VOL. 212 PG. 908
 62.279 AC.

PPN 27-B-054-0-00-006-0
 CITY OF WILLOUGHBY
 O.R. VOL. 212 PG. 908
 49.711 AC.

CROSSBUCK AVE
 - C/L
 N89°23'30"W (P)