

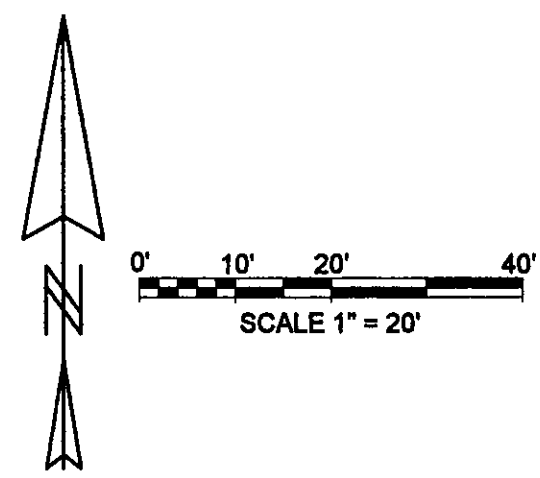
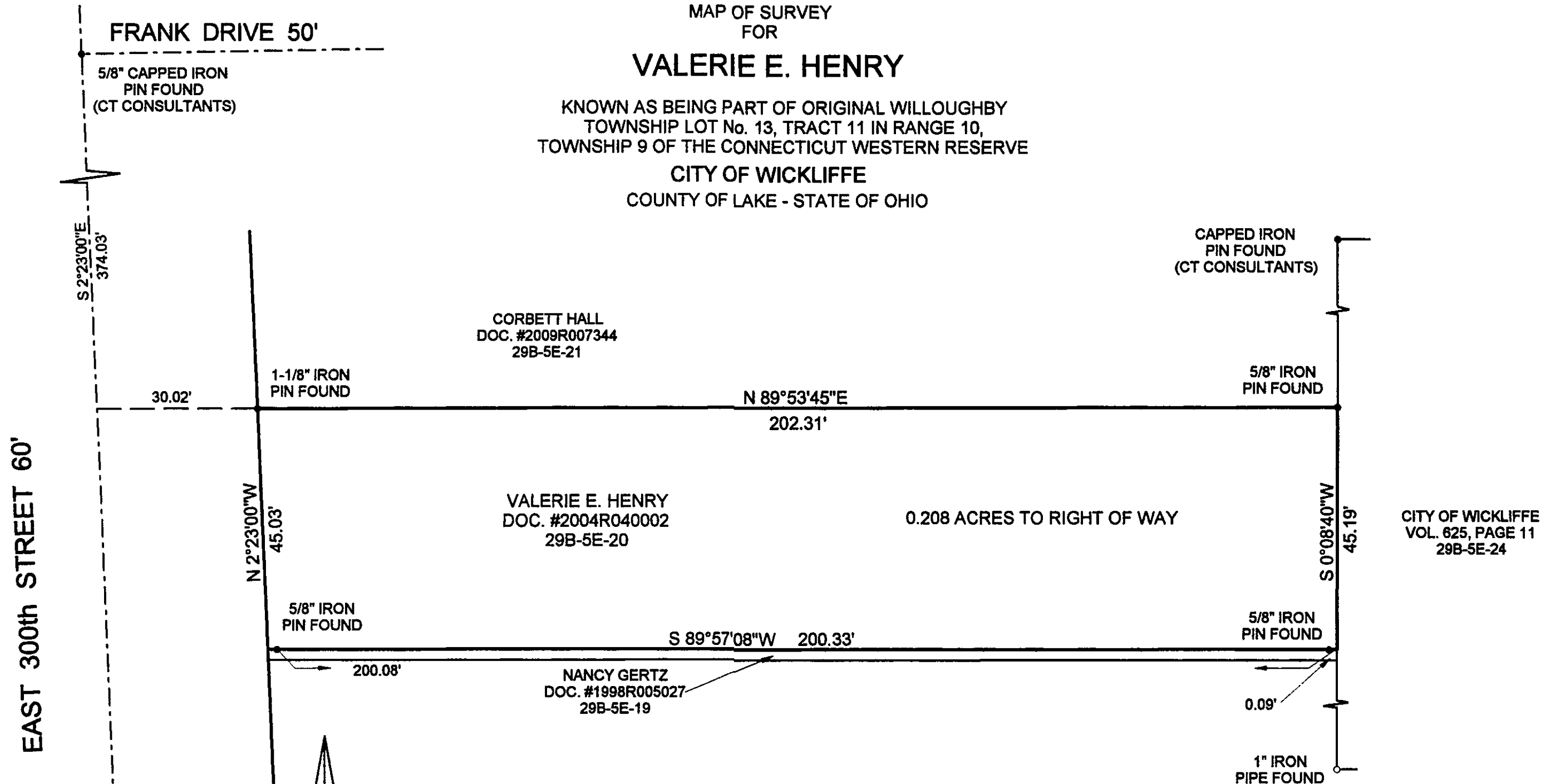
MAP OF SURVEY
FOR

VALERIE E. HENRY

KNOWN AS BEING PART OF ORIGINAL WILLOUGHBY
TOWNSHIP LOT No. 13, TRACT 11 IN RANGE 10,
TOWNSHIP 9 OF THE CONNECTICUT WESTERN RESERVE

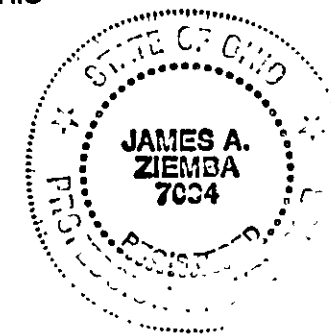
CITY OF WICKLIFFE

COUNTY OF LAKE - STATE OF OHIO



THIS MAP OF SURVEY REPRESENTS A TRUE FIELD SURVEY PERFORMED BY ME ON MAY 20, 2009. BEARINGS SHOWN HEREON ARE TO AN ASSUMED MERIDIAN AND ARE USED TO DENOTE ANGLES ONLY. DISTANCES ARE EXPRESSED IN FEET AND DECIMAL PARTS THEREOF IN ACCORDANCE WITH OHIO ADMINISTRATIVE CODE 4733-37.

James A. Ziemba 6-1-2009
JAMES A. ZIEMBA PROFESSIONAL SURVEYOR #7094



BENCHMARK SURVEY COMPANY
5964 SOUTH RIDGE ROAD
MADISON, OHIO 44057
1-440-428-8599
MAY 20, 2009